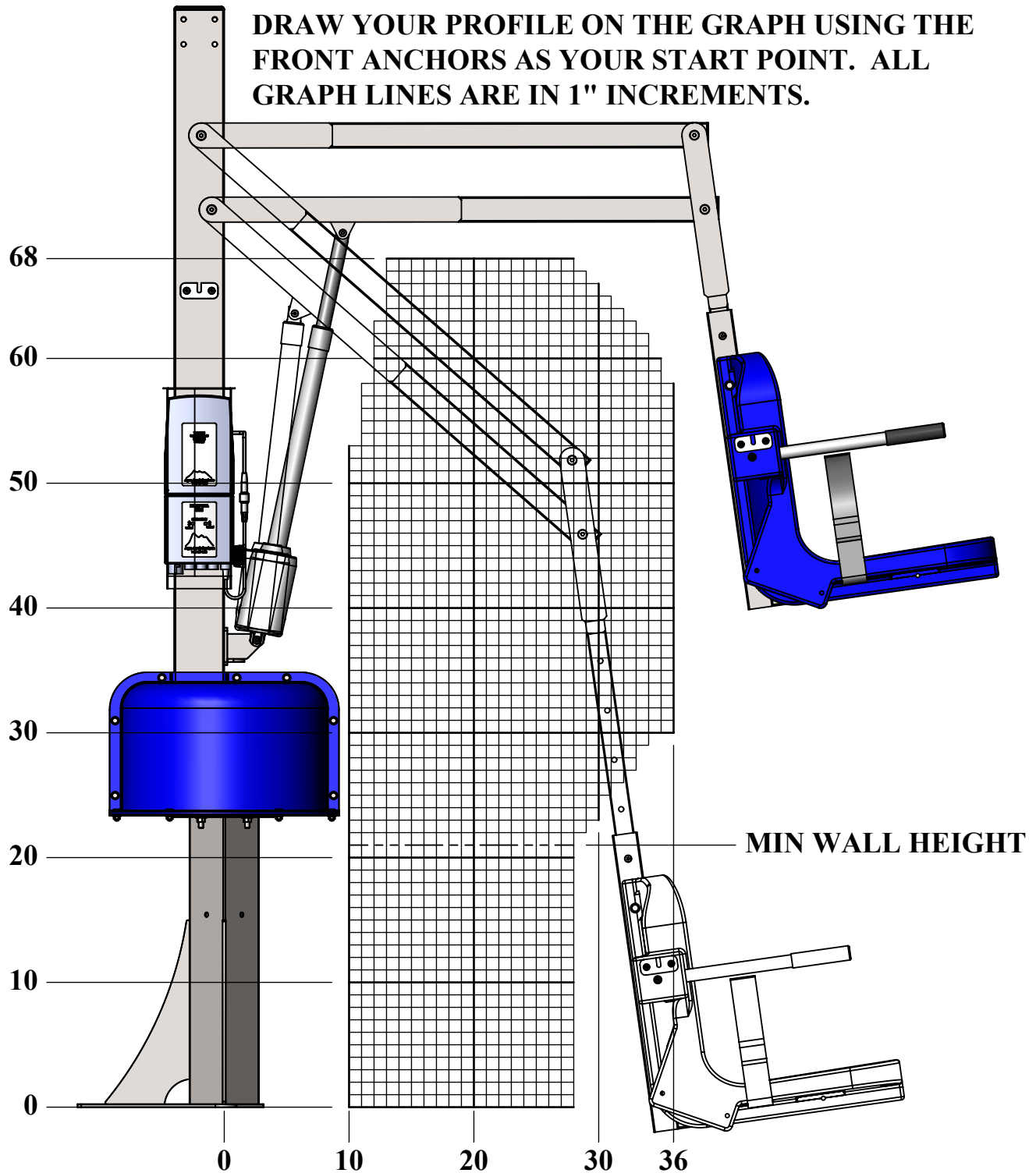


SPA LIFT ELITE GRAPH CHART

MINIMUM SETBACK = 10"

MAXIMUM WALL THICKNESS = 26"

DRAW YOUR PROFILE ON THE GRAPH USING THE FRONT ANCHORS AS YOUR START POINT. ALL GRAPH LINES ARE IN 1" INCREMENTS.



9889 GARRYMORE LANE
 MISSOULA, MT 59808
 (406) 549-0769
 FAX (406) 549-2602

NOTE:
 *SPECIFICATIONS ARE SUBJECT TO CHANGE WITHOUT NOTICE

PRODUCT:		SPA LIFT ELITE	
PART #:		F-006SLE	
SCALE:	1:12	DATE:	7/17/2019
DRAWN BY:	KR	REVISION:	03